

Medical gas devices



451-type cylinder pressure regulator

Product description

Pressure regulator for cylinders, suitable for medical gases, equipped with dual pressure gauge to show high and low pressure, used on outlet of cylinders to reduce the pressure down to that of the line or equipment. Maximum inlet pressure is 200 bar, the outlet pressure is adjustable up to 12 bar. The gas inlet connection is specific to the gas type, the outlet is fitted with an Ø 8 hose connector. Its maximum nitrogen capacity at 12 bar outlet pressure is 90 Nm³/h, 1500 NI/min.

Normatives

UNI EN ISO 10524-1:2006 | UNI EN ISO 9001:2008 | UNI CEI EN ISO 14971:2012 | UNI CEI EN ISO 13485:2004 | UNI EN ISO 15001:2012

Components

Body, cap and overpressure discharge valve integrated into the pressure regulator, made of CW614N chemically nickel-plated brass.

Pressure adjustment by threaded screw.

Inlet connections are specific according to the type of gas.

N. One Ø8 mm hose connector on the outlet.

N. One 0-315 bar inlet pressure gauge, Ø 60 mm, class 2.5.

N. One 0-16 bar outlet pressure gauge, Ø 60 mm, class 2.5.

Stainless steel springs.

VITON O-Ring for O₂, NBR O-ring for other gases.

NYLON seal seat for O₂, TEFLON seal seat for other gases.

VITON O-Ring for O₂, NBR O-ring for other gases.

Nylon gaskets.

Product codes

GAS	CONNECTION	CODE
OXYGEN	G3/4" 'A'	HR052D
OXYGEN	SI22,91x1,814 'B'	HR052F
NITROUS OXIDE	SI26x1,5 'B'	HR053F
AIR	G5/8" DIN 'D'	HR054D

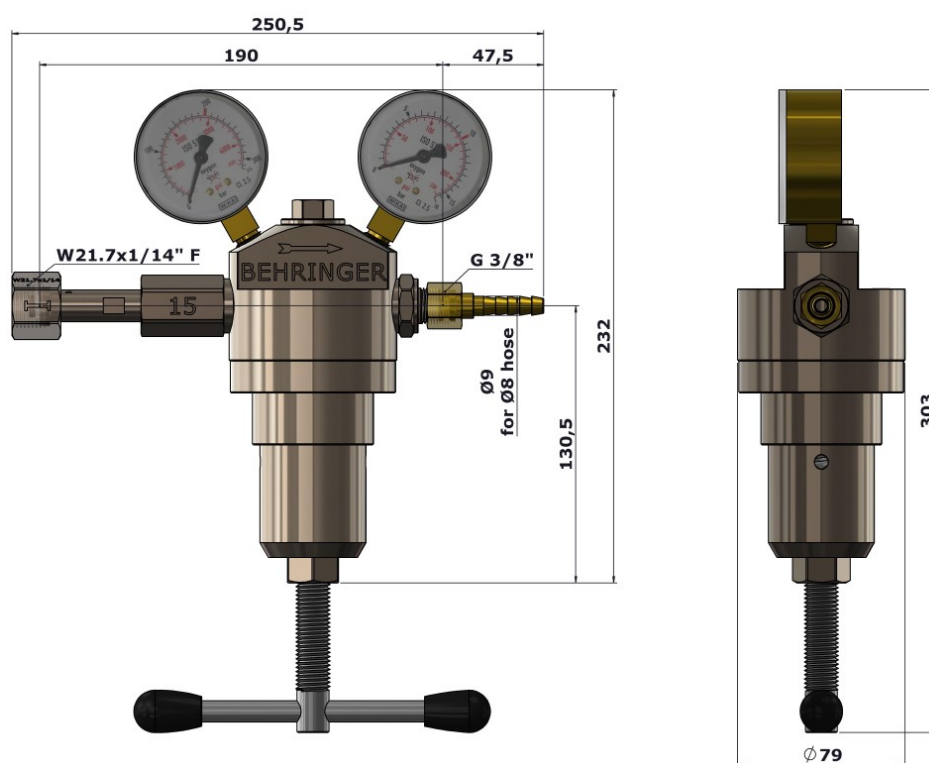
Product codes

GAS	CONNECTION	CODE
AIR	W24x2" 'A'	HR054F
CARBON DIOXIDE	W21,80X1/14" 'A'	HR055D
CARBON DIOXIDE	SI21,7X1,814 'A'	HR055F
NITROGEN	W24,32X1/14" 'A'	HR056D
NITROGEN	SI21,7x1,814 'A'	HR056F

Technical data

CODE	Q max.	P ₁ max.	P ₂ max.	INLET CONNECTION	OUTLET CONNECTION	WEIGHT
HR052D	90 Nm ³ /h	200 bar	12 bar	G3/4" 'A'	Hose connector Ø 8 mm	4,0 kg
HR052F	90 Nm ³ /h	200 bar	12 bar	SI22,91x1,814 'B'	Hose connector Ø 8 mm	4,0 kg
HR053F	90 Nm ³ /h	200 bar	12 bar	SI26x1,5 'B'	Hose connector Ø 8 mm	4,0 kg
HR054D	90 Nm ³ /h	200 bar	12 bar	G5/8" DIN 'D'	Hose connector Ø 8 mm	4,0 kg
HR054F	90 Nm ³ /h	200 bar	12 bar	W24x2" 'A'	Hose connector Ø 8 mm	4,0 kg
HR055D	90 Nm ³ /h	200 bar	12 bar	W21,80X1/14" 'A'	Hose connector Ø 8 mm	4,0 kg
HR055F	90 Nm ³ /h	200 bar	12 bar	SI21,7X1,814 'A'	Hose connector Ø 8 mm	4,0 kg
HR056D	90 Nm ³ /h	200 bar	12 bar	W24,32X1/14" 'A'	Hose connector Ø 8 mm	4,0 kg
HR056F	90 Nm ³ /h	200 bar	12 bar	SI21,7x1,814 'A'	Hose connector Ø 8 mm	4,0 kg

Technical Images



Behringer S.r.l. via Gualco 4, 16165 Genova ITALY

T +39 010 8309103

F +39 010 8309183

e-mail info@behringer.it

C.F. e P.I. 01167840998

